

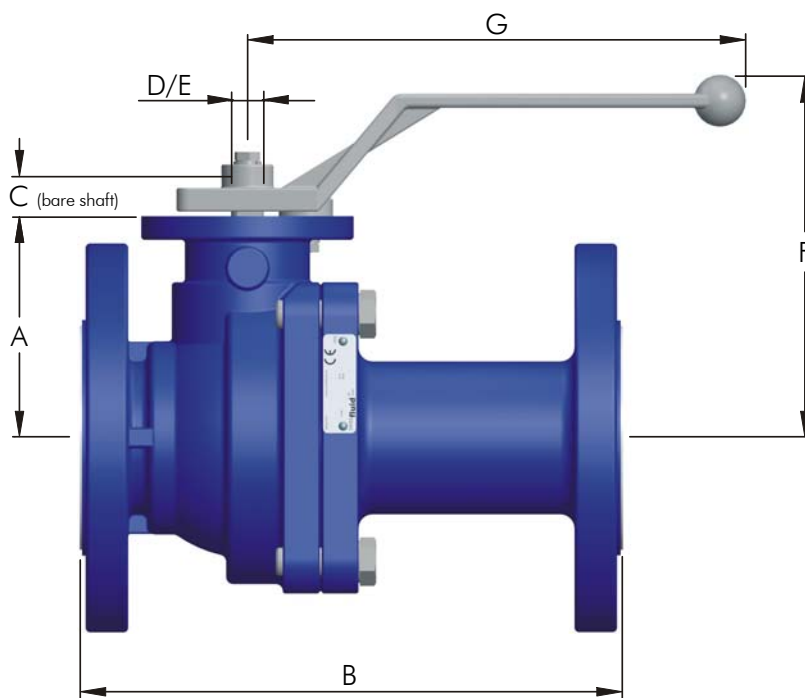
**Operating Conditions**

- Temperature range from -40°C (-40°F) up to +200°C (+392°F) (dep. on body lining resp. ball encapsulation)
- Pressure range from 1 mbar up to 16 bar (232 psi)

**Testing / Marking**

- Pressure- and tightness testing acc. to EN 12266-1, leakage rate A, and spark testing at 35 kV to assure lining integrity. Marking of valves on body and name plate acc. to EN 19.
- Material- resp. test certificate acc. to EN 10204-3.1

**Manual Valve**



**Dimensions** in mm (lbs = kg x 2.2)

DN Nom. Size	A	B DIN	B ANSI	C shaft end	D dia.	E DD	F	G	ISO	kg* bare shaft	kg lever only
15/1/2"	64	130	130	19	14	11	116	161	F05	3.8	0.32
20/3/4"	66	150	150	19	14	11	118	161	F05	4.5	0.32
25/1"	70	160	127	19	14	11	122	161	F05	5.1	0.32
40/1 1/2"	87	200	165	19	14	11	139	211	F07	9.7	0.36
50/2"	94	230	178	19	14	11	142	211	F07	11.7	0.36
65/2 1/2"	106	290	190	23	18	14	158	215	F07	17.2	0.41
80/3"	115	310	203	23	18	14	167	251	F07	20.7	0.41
100/4"	130	350	229	23	24	17	182	315	F10	32.0	0.90
6" red	130	-	267	23	24	17	182	315	F10	45.0	0.90

Face to face B acc. to DIN EN 558-1 range 1 resp. ASME B16.10 \*weights for DIN valves  
 6" red. with eff. throughput dia. 100 mm